

GD27 Over-Centre Inside Hold Down Catch

Features

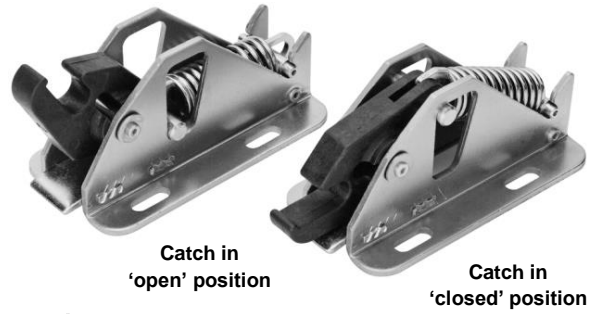
- A robust and simple plant-on unit which uses over-centre action to trap and hold down the striker-loop
- Widely used for engine covers, grills, luggage compartments and for machine covers and canopies
- Catch is mounted on cover or base, and simply slams against a striker
- Release is by direct pull away from striker, usually using a grab handle
- Pull-out force is 20 kg
- Slam-action causes moulded 'claw' to rotate through 60°, bringing the powerful spring over-centre to trap and hold down the striker loop

Material

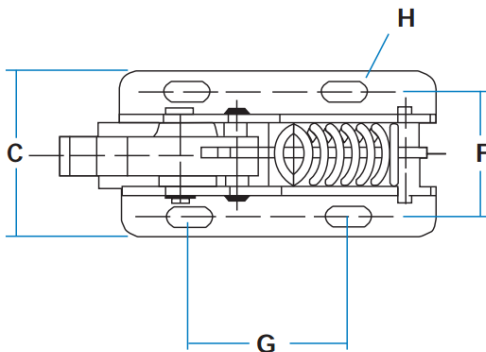
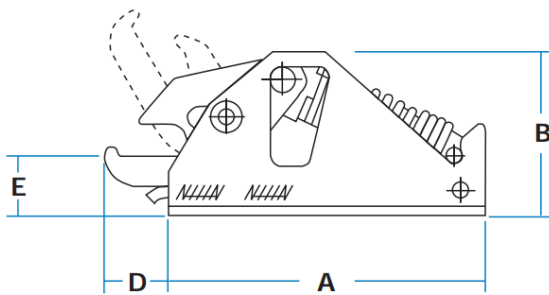
- Claw: Black, glass-filled nylon
- Others: Steel, zinc-plated

Notes

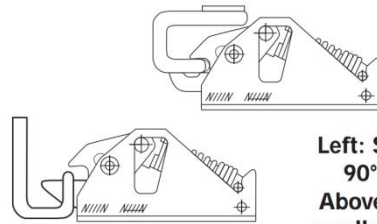
- Fixing through four elongated holes in base-plate
- Can be used with grab handles **GG8-G01526**, **GG11-G00214** or similar
- Striker **G01384** is sold separately



G01384
(Striker, sold separately)



The 'Double-loop' striker provides great freedom in the mounting positions of catch and striker.



Part No.	A	B	C	D	E	F	G	H	J	K	L	M	N	O
GD27-G01383	110	56	58	21	21	44	55	16.5 x 6	60	50	70	45	30	8